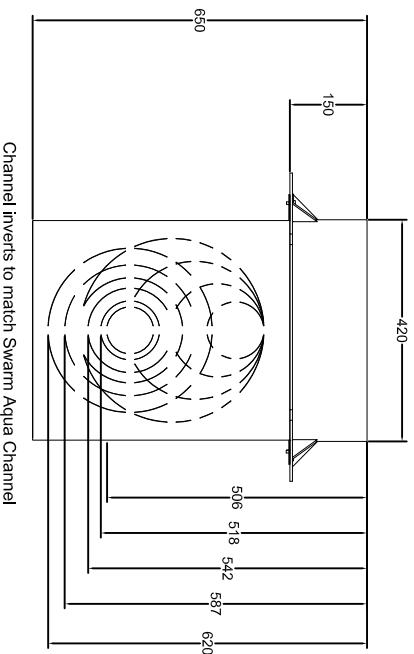
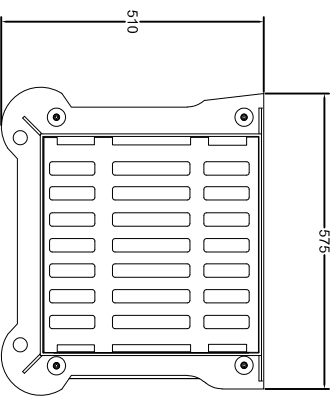


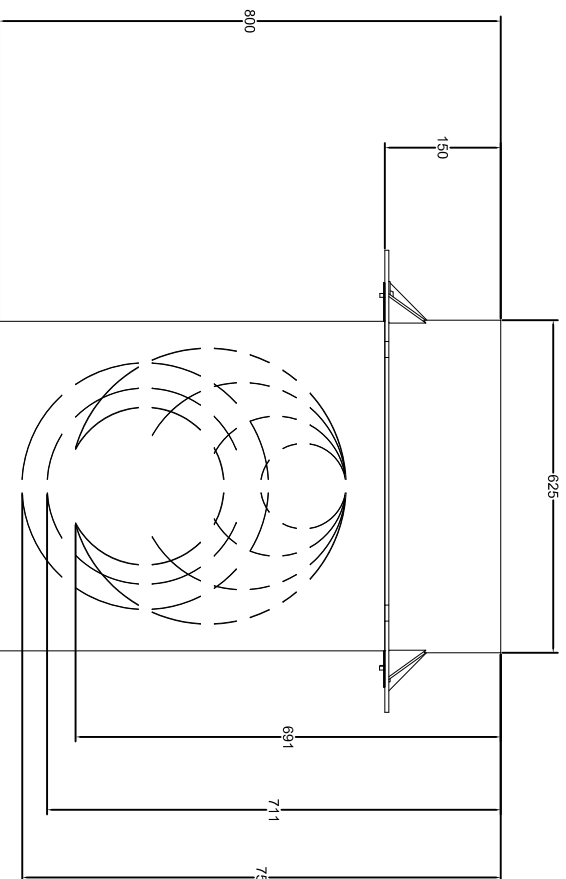
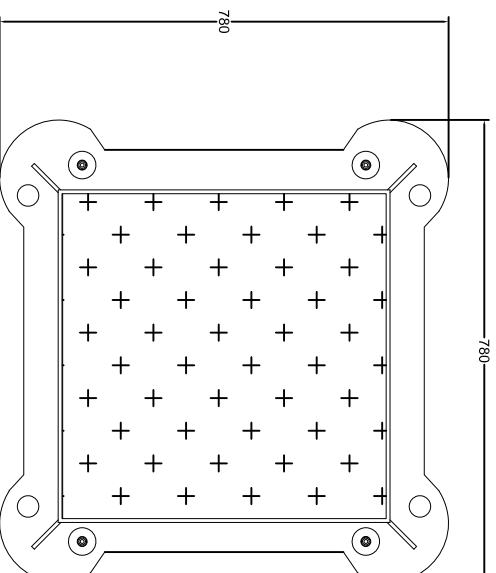
DO NOT SCALE FROM THIS DRAWING

SD01 - Small Combined Box Dimensions
Supplied with hinged grating and frame



Channel Inverts to match Swarm Aqua Channel

SD02 - Large Combined Box Dimensions
Supplied with solid cover



Channel Inverts to match Swarm Aqua Channel

Combined Box:

The combined box can be used for both access and outlets. For channel sizes up to 300mm a Small Combined Box should be used. For channel sizes up to 450mm a Large Combined Box should be used.

SD01 - Small Combined Box H:650 W:420 for up to 300mm Swarm Aqua Pipe Knockouts: 92 115 165 205 255 320 K/O Inverts: 506 518 542 562 587 620
SD02 - Large Combined Box H:800 W:625 for up to 450mm Swarm Aqua Pipe Knockouts: 320 360 440 K/O Inverts: 691 711 751

Revision Notes: 10/06/2019 (-): NA

Drawing No: SA-H-002	Revision: -
Drawn By: DAL	Date: 10/06/2019
Checked By: JC	Part No: SD*

Title: Swarm Aqua Combined Box Dimensions

SWARM
WATER MANAGEMENT

Swarm Water Management LTD
41 Wheatfields
Aldington,
Ashford
Kent TN25 7GF
www.swarmwm.co.uk

Disclaimer: This drawing and its contents are not to be copied or reproduced without the written consent of Swarm Water Management Ltd. It is the responsibility of the user to ensure that the information is up to date and correct. All other products shown are those provided by Swarm.
Scale: DNS