

Important Notes:

1. First concrete pour to affix feet to trench base, a gap of 20mm should be left between cured pour and channel base to allow for second pour to flow underneath the channel. Minimum concrete grade should be 32/40. All accessories should be in place before any pour is commenced.

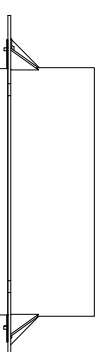
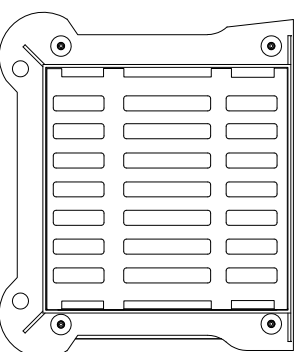
2. Do not scale from this drawing. Some dimensions are representations.

3. The contractor is responsible for maintaining structural integrity at all times and for providing adequate temporary works.

4. The concrete surround, surface finish and reinforcement guidelines are suggestions and ultimately the responsibility of the project engineer, as site conditions can vary.

5. The load class of Swarm Aqua when installed with a full concrete surround is F900kN to EN1433. This may be subject to concrete reinforcement (independent review available on request). All accessories other than the Combined Box have no bearing on the final loading.

6. The Combined Box is supplied with an D400kN top. When installed within a full concrete surround this loading is achieved however other surface finishes may cause differences in loading.



Combined Box:

The combined box can be used for both access and outlets. For channel sizes up to 300mm a Small Combined Box should be used. For channel sizes up to 450mm a Large Combined Box should be used.

SD01 - Small Combined Box H:650 W:420 for up to 300mm Swarm Aqua Pipe Knockouts: 92 115 165 205 255 320 K/O Inverts: 506 518 542 562 587 620
SD02 - Large Combined Box H:800 W:625 for up to 450mm Swarm Aqua Pipe Knockouts: 320 60 440 K/O Inverts: 691 711 751

1 Outlet Pipe:

The Combined Boxes have perforated knockouts for use with standard pipe sizes to provide outlet. these knockouts should be removed to suit on site.

2 Chamber Connector:

The chamber connector is standard Twinwall pipe. A minimum length of 300mm provides sufficient concrete to set around the combined box; however the length can be increased to a desired length in order to create an overall run of any length

Revision Notes: 06/06/2019 (-): NA

Drawing No: SA-H-001 Revision: -

Drawn By: DAL Date: 06/06/2019

Checked By: JC Part No: SD*

Title: Swarm Aqua Combined Box Specifications

SWARM
WATER MANAGEMENT

Swarm Water Management LTD
41 Wheatfields
Aldington,
Ashford
Kent TN25 7GF
www.swarmwm.co.uk

Disclaimer: This drawing and its contents are not to be copied or reproduced in any form without the written consent of Swarm Water Management Ltd. It is the property of Swarm Water Management Ltd and shall remain the property of Swarm Water Management Ltd. It is not to be used for any other project or other than those provided by Swarm.

Scale: DNS